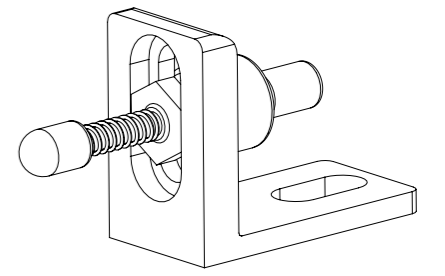
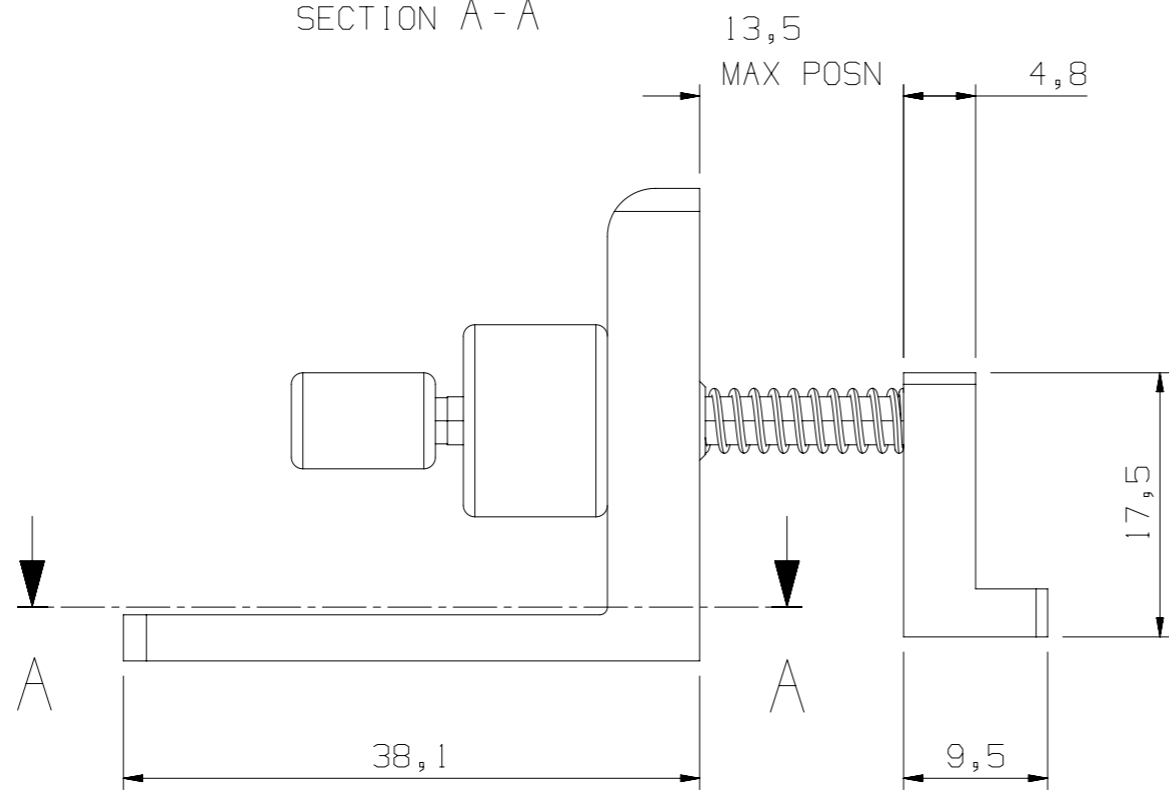
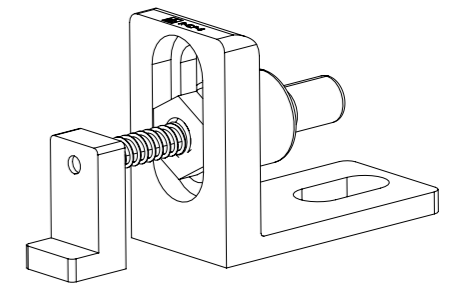
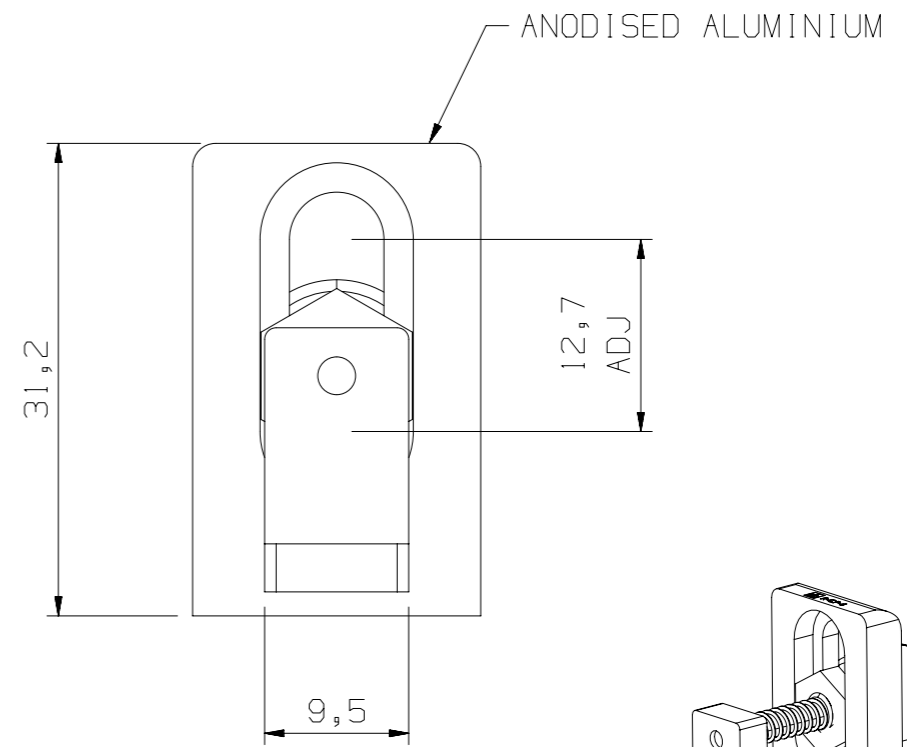


SECTION A-A



BULLET NOSE TIP INCLUDED



SCALE 1:1

NOTE:
PART NUMBER INCLUDES SOCKET HEAD CAP SCREW, THUMB SCREW AND WASHER

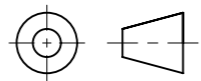
TO ORDER PLEASE QUOTE PART NUMBER R-CP-6

THIS IS A CUSTOMER DRAWING. DIMENSIONS ARE GENERALLY NOMINAL EXCEPT WHERE TOLERANCED.

TOLERANCED DIMENSIONS ARE CONSIDERED CRITICAL AND ARE INSPECTED BY OUR QUALITY DEPARTMENT PRIOR TO DESPATCH.

ALL DIMENSIONS ARE IN MILLIMETRES. DRAWING PRACTICE TO BS 8888.

3rd ANGLE PROJECTION



DO NOT SCALE

TITLE

M6 P/CLMP

MATERIAL TYPE CODE

MATERIAL

ISSUE No.

-

DRAWN BY

LB

DRAWN DATE

DEC 19

SHEET

1 OF 1

CHECKED

-

CONFIDENTIAL. THIS DRAWING IS THE PROPERTY OF © RENISHAW plc, AND MAY NOT BE COPIED OR USED FOR ANY PURPOSE, OTHER THAN THAT FOR WHICH IT IS SUPPLIED, WITHOUT THE EXPRESS WRITTEN AUTHORITY OF RENISHAW plc.

RENISHAW®

Wotton - under - Edge
Glos. England.
GL12 8JR

SCALE
U.O.S.
2:1

DRAWING No.

N-R-CP-6-A